

SYRINGE®

Particle Measuring System

Agence Nord:

ZA Object'ifs Sud - Lot A3
6 Allée Emilie du Châtelet
14123 Ifs
tél : 02.31.34.50.74
fax : 02.31.34.55.17

Agence Est:

Parc Club des Tanneries
2 Rue de la Faisanderie
67380 Lingolsheim
tél : 03.88.04.01.81
fax : 03.68.93.01.52



Agence Sud:

Bât Le Venango. 392 Rue Jean Dausset
AGROPARC - BP11575
84916 Avignon Cédex 9
tél : 04.90.27.17.95 fax : 04.90.27.17.52

www.deltalabo.fr
info@deltalabo.fr



KLOTZ®

Particle measuring systems for liquids, air, gases, oils and particle sizes.

SYRINGE®

Particle measuring system

The particle measuring system Syringe® was specifically designed for lab operation. The system includes the sample feeder Syringe®, the PC insert card PCI 1.0, the evaluation software and the PC. For the pharmaceutical sector the evaluation software SW-CA is available; the system is equipped with the laser sensor LDS 23/25 usp. It works in the range of 1-50 µm linear and is specifically made to meet the requirements in the pharmaceutical sector. For contamination control of water, beverages and other process liquids the laser diode sensor LDS 30/30 and the evaluation software SW-PE is normally used. The system can measure a particle size of 0.9-139 µm. As option the unit is also available with magnetic stirrer.

The system is optionally also suitable for particle size analysis. The particle is dispersed in the liquid; the greatest possible concentration of 120,000 particles/ml must not be exceeded.

Software:

With the software program SW-PE for normal liquids up to 256 freely selectable particle sizes can be measured. The evaluation can be executed as cumulative or distributive according to particle numbers or volume and/or dimensions. A flexible export to MS Excel for further evaluation and processing is possible.

The program SW-CA was specifically designed for the pharmaceutical industry. It allows the execution and evaluation of measurements according to the USP standard / Pharm EUR. Measurements or measuring sequences according to company specifications are possible. Likewise measurements that have been executed with diluted solutions can be evaluated. Log printouts as well as tabular representation are possible.

Areas of application:

Particle counting in the lab area, contamination control of liquids, quality control of pharmaceutical products, residual dirt analysis, particle size analysis.

Accessories



Evaluation software for Syringe®



Particle size analysis in the range of 1-200 µm



Sampling from bag



Calibration set

Technical Specifications

•Sensor / Range / Concentration:

LDS 23/25 usp / 1-50µm

LDS 30/30 / 0.9-139µm

•Measuring Value Readout/Software:

LDS 23/25 usp: SW-CA (pharma)

LDS 30/30:SW-PE (research and development, general quality control)

•Channels:

SW-CA: max. 8 permanently set channels

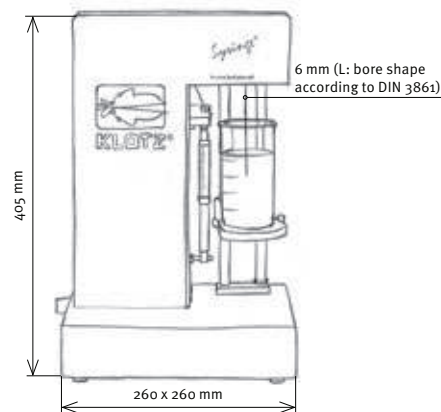
SW-PE: max 256 freely selectable channels

•Power Supply:

230/115 VAC, 50/60 Hz

•Dimensions (h x w x d):

405 x 260 x 260 mm



Agence Nord:

ZA Object'ifs Sud - Lot A3
6 Allée Emilie du Châtelet
14123 Ifs
tél : 02.31.34.50.74
fax : 02.31.34.55.17



Agence Sud:

Bât Le Venango. 392 Rue Jean Dausset
AGROPARC - BP11575
84916 Avignon Cédex 9
tél : 04.90.27.17.95 fax : 04.90.27.17.52

Agence Est:

Parc Club des Tanneries
2 Rue de la Faisanderie
67380 Lingolsheim
tél : 03.88.04.01.81
fax : 03.68.93.01.52

www.deltalabo.fr
info@deltalabo.fr



Markus Klotz GmbH

Theodor-Heuss-Straße 27
75378 Bad Liebenzell, Germany
phone +49(0)7052 / 9 23 36
fax +49(0)7052 / 9 23 38
info@fa-klotz.de
www.fa-klotz.de