

### Microplate Horn

(Only for use with Q700)

Similar to a Cup Horn, but larger, the Microplate Horn is an indirect sonication device capable of processing an entire 96 well microtiter plate or many microtubes at one time.

Simply place your samples within the water-filled reservoir and the sonic energy is transferred into each individual well or tube. This unit is ideal for high throughput applications.

The Horn is equipped with a clear acrylic collar to contain the liquid media within the reservoir. This allows the user to process deep well microplates or other tall vessels. Standard microtiter plates or PCR tubes require a smaller volume of liquid for sonication. For these applications, the clear acrylic collar may be removed and the lower, gray collar will allow for easier access to the samples.



#Q700MPX



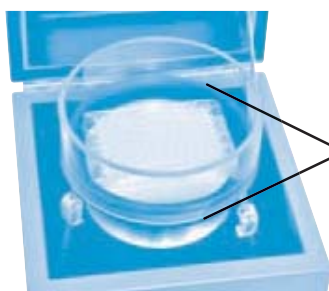
#431MPX



#431MPXH

Part #	Description
Q700MPX	Q700 (Without Standard Probe), and the 431MPX
431MPX	Microplate Horn, Pinch Clamps, Tubing and Sound Enclosure
431MPXH	Microplate Horn Only
432MP	Sound Enclosure for Microplate Horn
444	300 µl Microcentrifuge Tube Holder/Cover

Exterior dimensions of the Sound Enclosure are 10" wide x 10" deep x 17" high.



#444

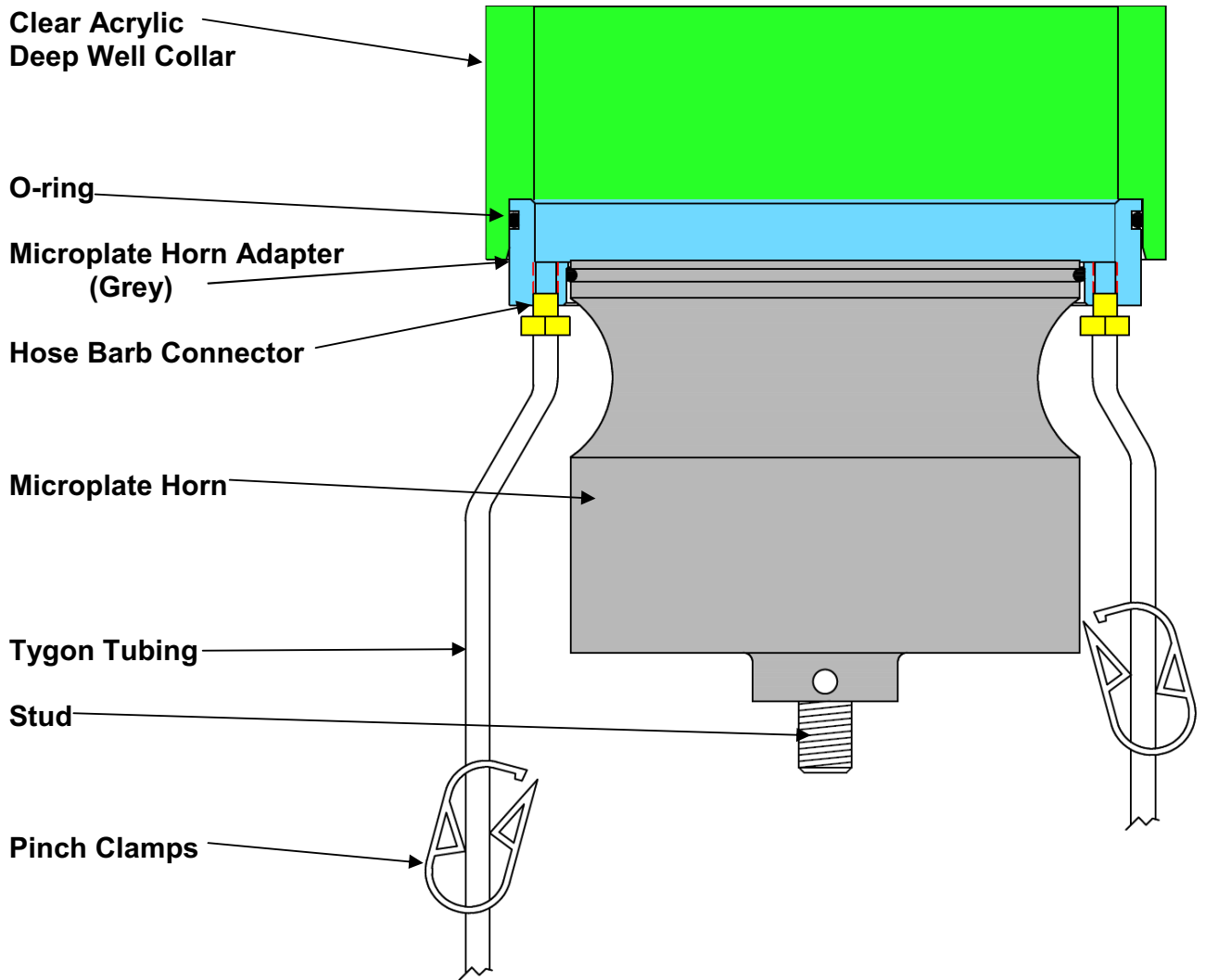
The Microplate Horn is commonly used in PMCA research. A microcentrifuge tube holder and cover (#444) are available and often used for this application.



**Agence Nord :**  
 Plug N'Work - Campus Effiscience  
 2 Rue Jean Perrin - Bât D  
 14460 Colombelles  
 Tél: 02.31.34.50.74 Fax: 02.31.34.55.17

**Agence Sud :**  
 Hôtel d'Entreprises de La Croix Rouge - Lot A4  
 10 Av de la Croix Rouge - 84000 Avignon  
 Tél : 04.90.27.17.95 Fax : 04.90.27.17.52

### Microplate Horn Diagram (#431MPX)



- The tall, clear collar is removable. If it is not required, simply slide it upwards and it will be released.
- The Sound Enclosure is included with the purchase of the # S-4000MPX or # 431MPX.
- If you only purchase # 431MPX, the Generator and Converter are not included.